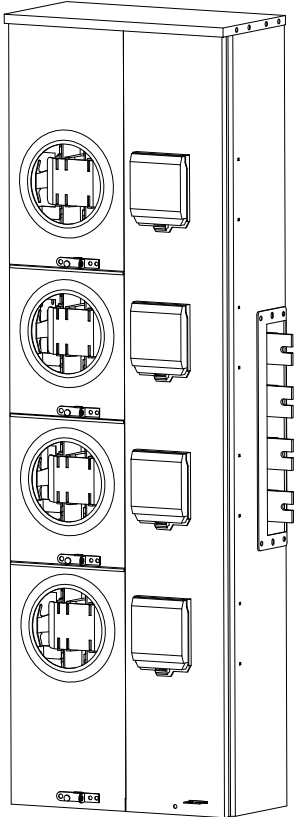


# HOT SEQUENCE

BULLETIN  
CM-PNL  
AUGUST 2009

## ERICKSON ELECTRICAL EQUIPMENT CO. COMMERCIAL METERING PANELBOARDS

FOR 3Ø-4W SYSTEMS, 208Y/120V. OR 240/120V. DELTA  
3Ø 4W OR 1Ø 3W BRANCH METER/DISCONNECT DEVICES.  
FOR INDOOR OR OUTDOOR USE (TYPE 3R CONSTRUCTION)



### FEATURES:

- GANGABLE, AVAILABLE 1 TO 4 POSITIONS HIGH.
- SHORT CIRCUIT CURRENT RATING 200,000 RMS SYMMETRICAL AMPERES - WITH PULLOUT DISCONNECTS.
- TYPE 3R ALUMINUM ENCLOSURES INSTALL EASILY, NEVER RUST.
- METER SOCKETS ARE EQUIPPED WITH LEVER BY-PASS AND FEATURE RINGLESS COVERS.
- BOLT-ON BRANCH OVERCURRENT DEVICES.
- BRANCH OVERCURRENT DEVICES ARE CLASS 'T' FUSIBLE PULLOUT SWITCHES. CIRCUIT BREAKERS ARE AVAILABLE.
- ENTRANCE SECTIONS MAY HAVE MAIN LUGS ONLY, BOLTED-PRESSURE CONTACT MAIN FUSIBLE SWITCHES OR MAIN CIRCUIT BREAKERS. SEE SEPRATE BULLETINS.
- SIMPLE INSTALLATION, WITH SINGLE BOLT MAIN BUS JOINTS.
- C/T. SECTIONS WITH 400, 600 OR 800 AMP. DISCONNECT SWITCHES ARE AVAILABLE.
- LISTED BY UNDERWRITERS LABORATORIES INC, AS ENCLOSED PANELBOARDS, FILE E-12208

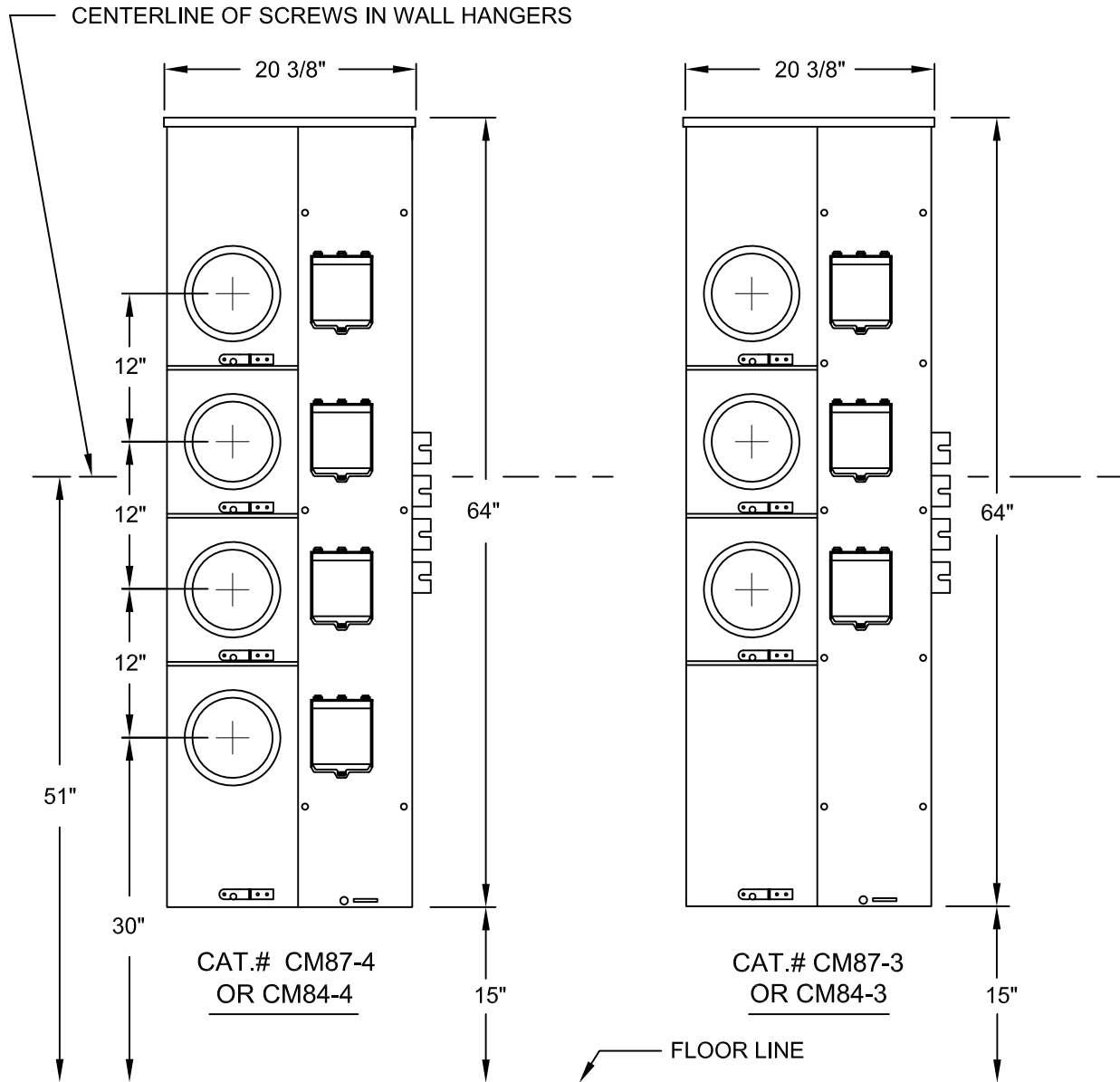
**APPLICATION:** FOR MULTIPLE OCCUPANCY OR TENANT METERING. METER-DISCONNECT SEQUENCE (HOT SEQUENCE). USE WITH TERMINATION BOX, MAIN BREAKER OR MAIN SWITCH.

**RATINGS:** 1200A MAIN BUS. 800A OR 1600A MAIN BUS AVAILABLE. BRANCH CIRCUIT DEVICES MAY BE FUSIBLE PULLOUT SWITCHES, MAXIMUM 200 AMPS, WITH 200,000 RMS AMPS. WITHSTAND RATING, OR, FOR CIRCUIT BREAKERS, CONSULT FACTORY.

[www.ericksonelectric.com](http://www.ericksonelectric.com)

**ERICKSON ELECTRICAL EQUIPMENT CO.**  
475 BONNIE LANE • ELK GROVE VILLAGE, IL 60007  
TELEPHONE: (847) 640-7701 / 1-800-952-7225  
FAX: (847) 640-0565

ALL CABINETS ARE 9-1/2" DEEP

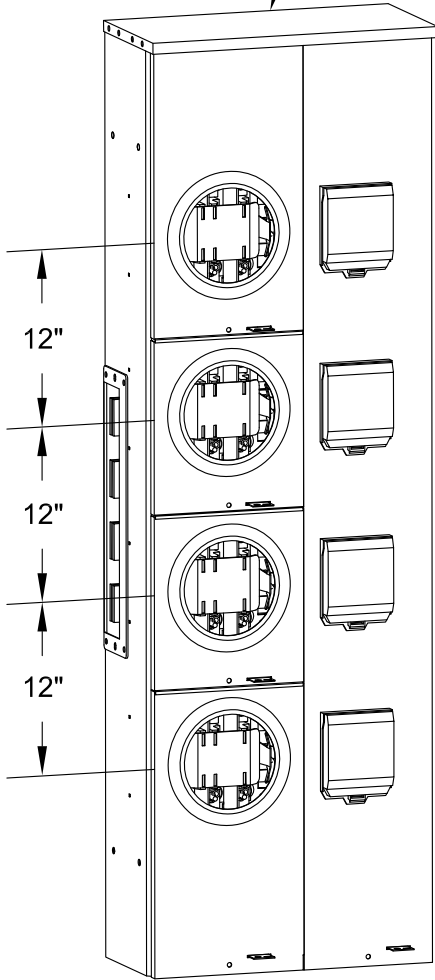


1200A MAIN BUS, 3Ø 4W 240V. MAXIMUM

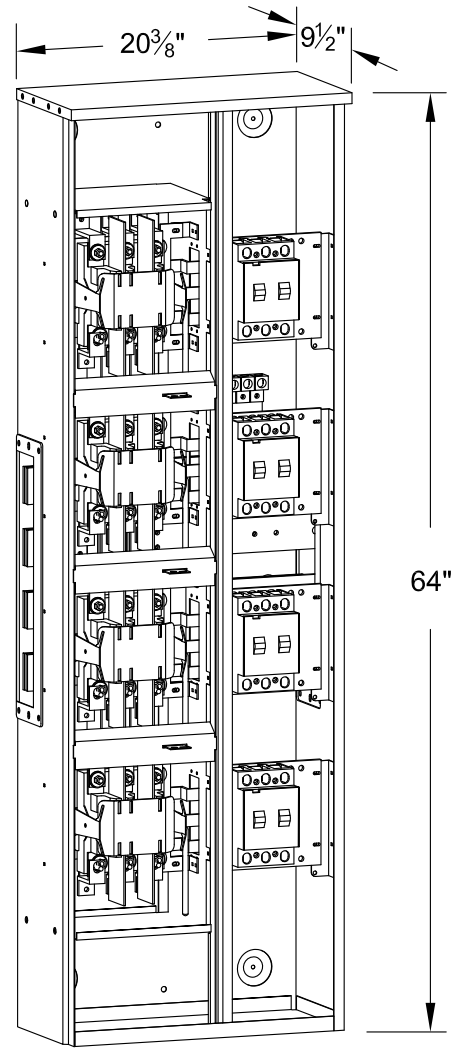
NUMBER OF METER POSITIONS	* 3 PHASE BRANCHES	* 1 PHASE BRANCHES
4	CAT.NO. CM87-4	CAT.NO. CM84-4
3	CAT.NO. CM87-3	CAT.NO. CM84-3
2	CAT.NO. CM87-2	CAT.NO. CM84-2
1	CAT.NO. CM87-1	CAT.NO. CM84-1

\* CATALOG NUMBERS LISTED HAVE 1200A MAIN BUS.  
 CM7 INDICATES 800A MAIN BUS. CM9 INDICATES 1600A MAIN BUS.  
 CONTACT FACTORY FOR PANELS THAT REQUIRE ONE METER POSITION.

FULL CONDUIT  
SPACE AVAILABLE  
TOP AND BOTTOM



EXTERIOR  
VIEW



COVERS  
REMOVED